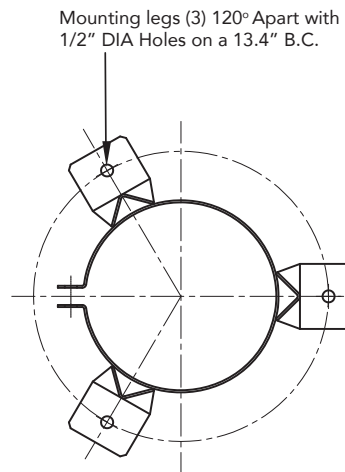
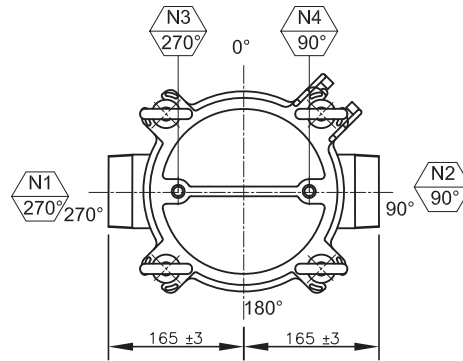
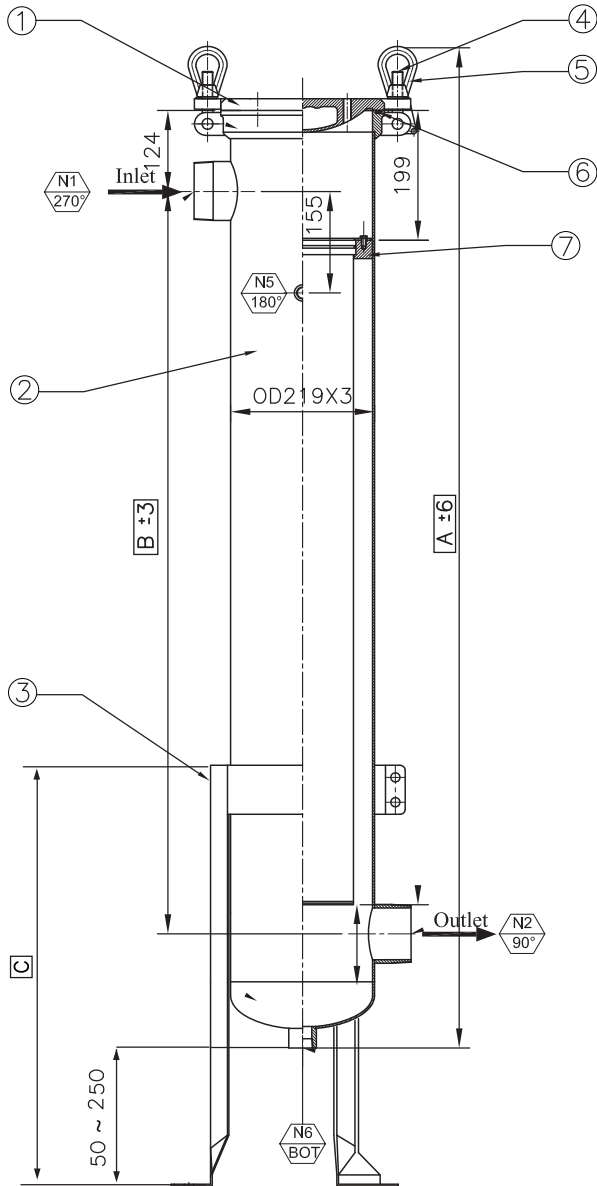


INOX PREMIER HIGH FLOW FILTER HOUSING

PFH-SGB-1HF-40-3-GP-ML



Overall Dimensions			
To Accommodate Filter Qty x Length	A mm	B mm	C mm
1 x 40"	1529	1135	560

Port Details					
No.	Type	Size	No.	Type	Size
N1	Inlet	3" BSPT-M	N4	Vent	1/4" BSPT-F
N2	Outlet	3" BSPT-M	N5	Gauge	1/4" BSPT-F
N3	Gauge	1/4" BSPT-F	N6	Drain	1" BSPT-F

Components					
No.	Name	Material	No.	Name	Material
1	Lid	316L	5	Eye Bolt (x4)	304
2	Body	316L	6	O-Ring	BUNA-N
3	Legs (x3)	304	7	Plate	316L
4	Nut (x4)	304			

Technical Information	Maximum Operating Temperature	120°C
	Design Pressure	7 bar
	Hydrostatic Test Pressure	10 bar

- Pressure relief device should be installed on the outer piping by the customer to assure that pressure in the vessel can not exceed the design pressure indicated
- All dimensions are approximate in mm