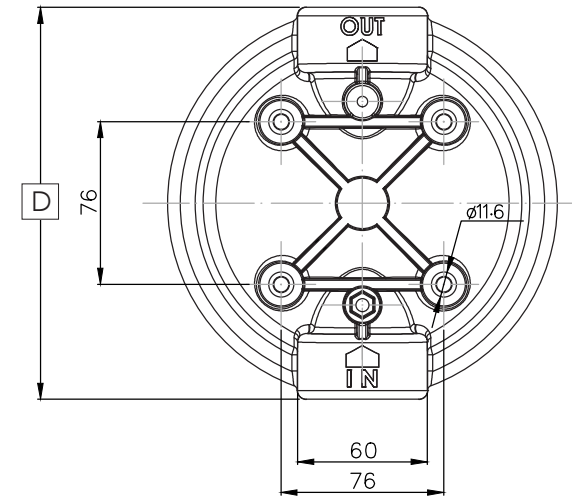
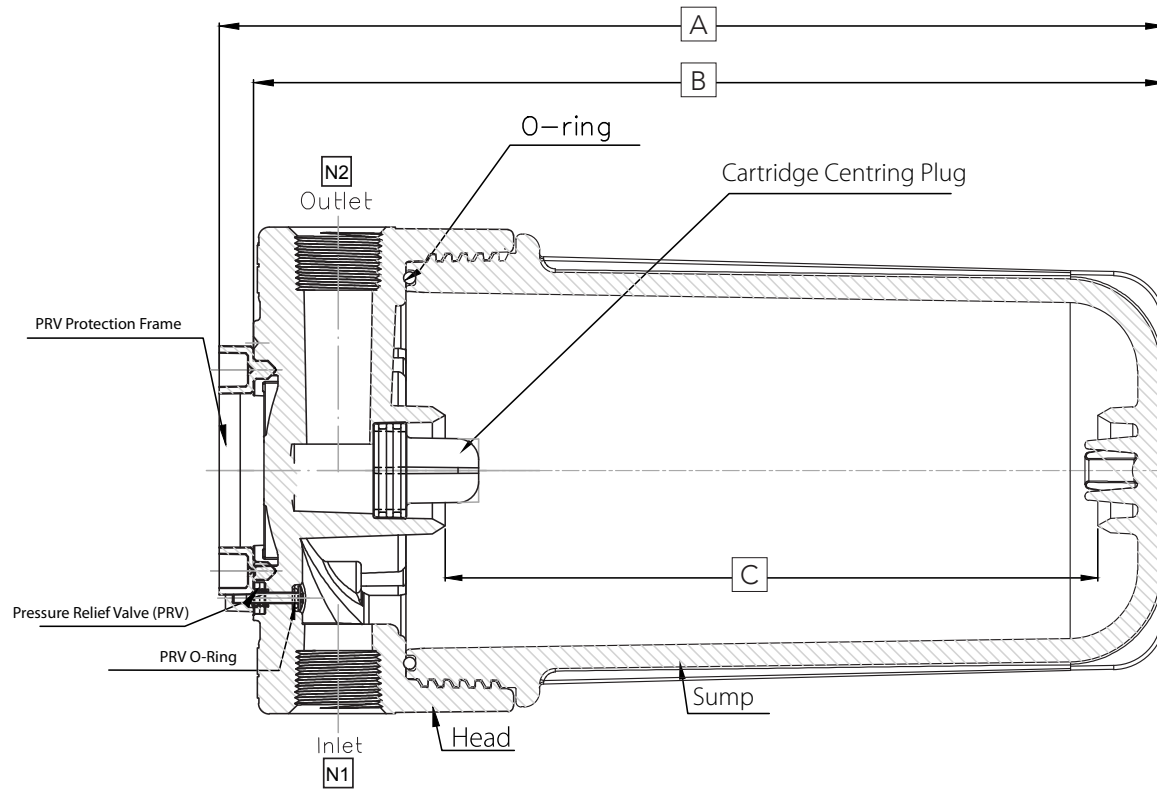


# AQUALYZE ECONOMIC FILTER HOUSING

## SINGLE ROUND 10" AND 20" LARGE DIAMETER - 1" PORTS



Part Number	Materials			Ports "		Dimensions mm			
	Head	Sump	O-Ring	N1	N2	A	B	C	D
EFH-PK-1-10LD-1	Polypropylene	Polypropylene	BUNA-N	1 BSPP	1 BSPP	357	347	248	183
EFH-SC-1-10LD-1	Polypropylene	Styrene Acrylonitrile	BUNA-N	1 BSPP	1 BSPP	357	347	248	183
EFH-PK-1-20LD-1	Polypropylene	Polypropylene	BUNA-N	1 BSPP	1 BSPP	621	610	506	183
EFH-SC-1-20LD-1	Polypropylene	Styrene Acrylonitrile	BUNA-N	1 BSPP	1 BSPP	621	610	506	183

<b>Technical Information</b> • PK = Black Head/ Black Sump • SC = Black Head/ Clear Sump • All dimensions are approximate in mm	<b>Maximum Operating Temperature</b>	<b>40°C</b>
	<b>Design Pressure 10/20"LD Black Sump</b>	<b>6.9 bar</b>
	<b>Design Pressure 10/20"LD Clear Sump</b>	<b>6.9 bar</b>