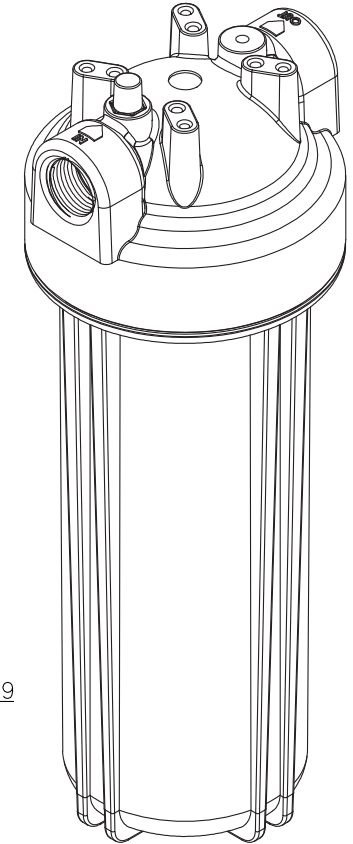
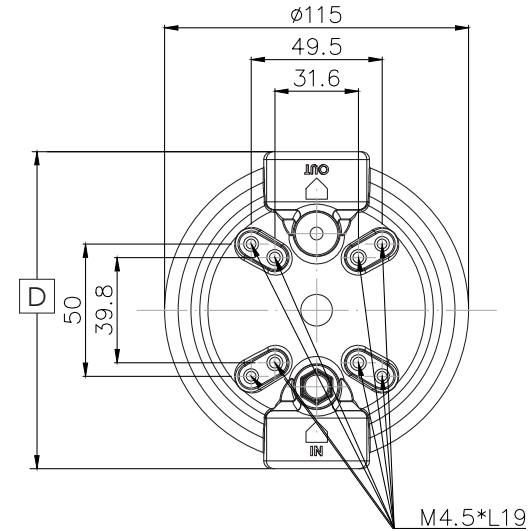
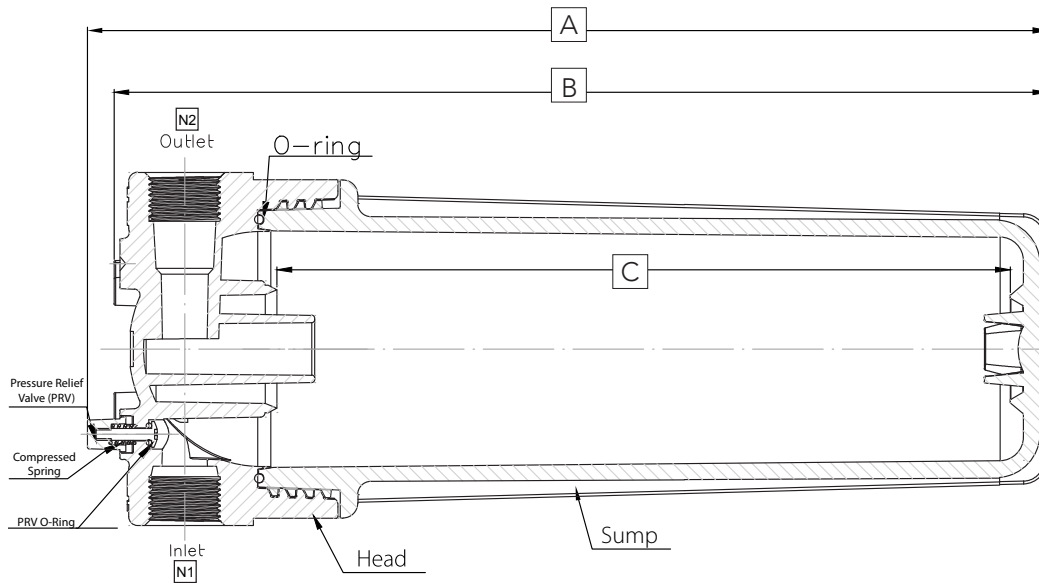


AQUALYZE ECONOMIC FILTER HOUSING

SINGLE ROUND 10" REGULAR - 1/2" & 3/4" PORTS



Part Number	Materials			Ports "		Dimensions mm			
	Head	Sump	O-Ring	N1	N2	A	B	C	D
EFH-PK-1-10-1/2	Polypropylene	Polypropylene	BUNA-N	1/2 BSPP	1/2 BSPP	326	317	248	120
EFH-PK-1-10-3/4	Polypropylene	Polypropylene	BUNA-N	3/4 BSPP	3/4 BSPP	326	317	248	120
EFH-SC-1-10-1/2	Polypropylene	Styrene Acrylonitrile	BUNA-N	1/2 BSPP	1/2 BSPP	326	317	248	120
EFH-SC-1-10-3/4	Polypropylene	Styrene Acrylonitrile	BUNA-N	3/4 BSPP	3/4 BSPP	326	317	248	120

Technical Information	Maximum Operating Temperature	40°C	
	• PK = Black Head/ Black Sump • SC= Black Head/ Clear Sump • All dimensions are approximate	Design Pressure 10" Black Sump	8.6 bar
		Design Pressure 10" Clear Sump	6.9 bar