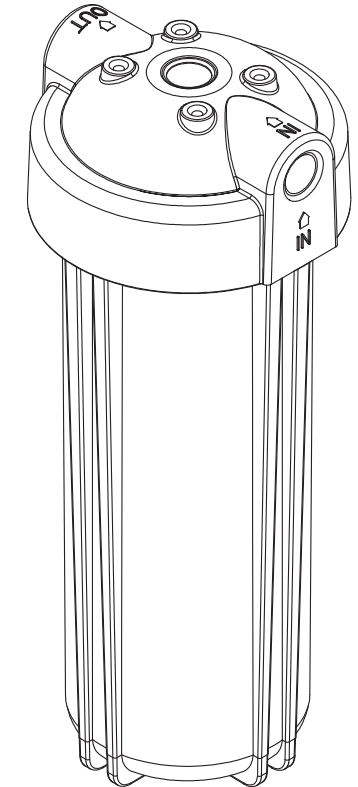
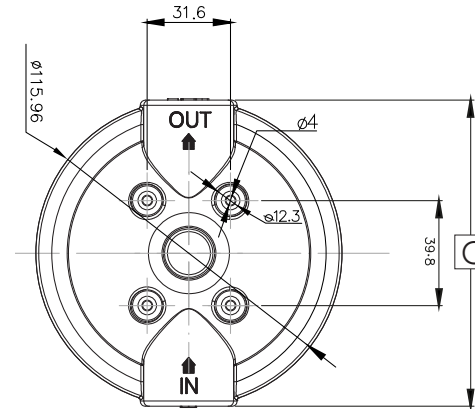
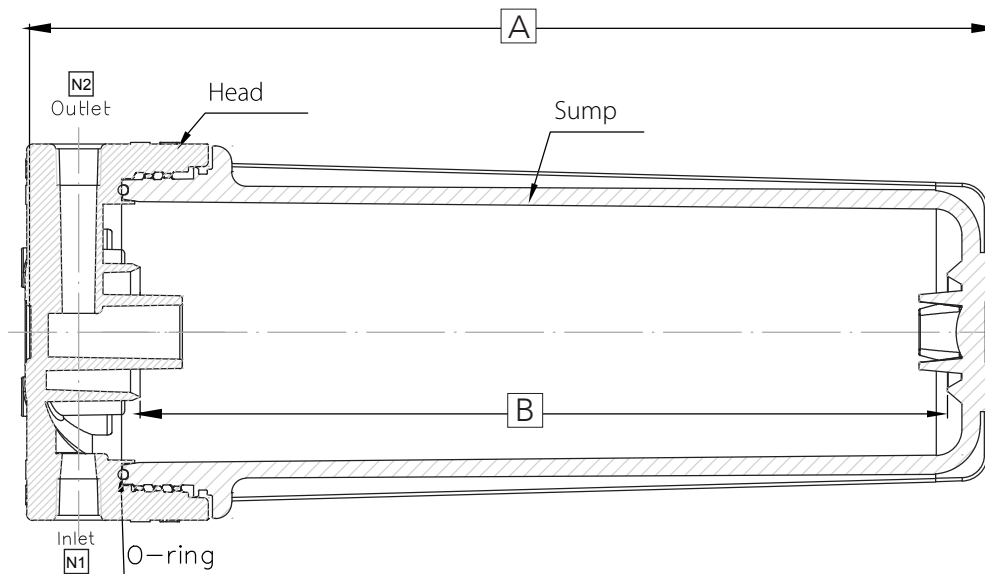


AQUALYZE ECONOMIC FILTER HOUSING

SINGLE ROUND 10" REGULAR - 1/4" & 3/8" PORTS



Part Number	Materials			Ports "		Dimensions mm		
	Head	Sump	O-Ring	N1	N2	A	B	C
EFH-PK-1-10-1/4	Polypropylene	Polypropylene	EPDM	1/4 NPT	1/4 NPT	297	248	116
EFH-PK-1-10-3/8	Polypropylene	Polypropylene	EPDM	3/8 NPT	3/8 NPT	297	248	116
EFH-SC-1-10-1/4	Polypropylene	Styrene Acrylonitrile	EPDM	1/4 NPT	1/4 NPT	297	248	116
EFH-SC-1-10-3/8	Polypropylene	Styrene Acrylonitrile	EPDM	3/8 NPT	3/8 NPT	297	248	116

Technical Information	Maximum Operating Temperature	40°C	
	• PK = Black Head/ Black Sump • SC = Black Head/ Clear Sump	Design Pressure 10" Black Sump	8.6 bar
	• All dimensions are approximate in mm.	Design Pressure 10" Clear Sump	6.9 bar