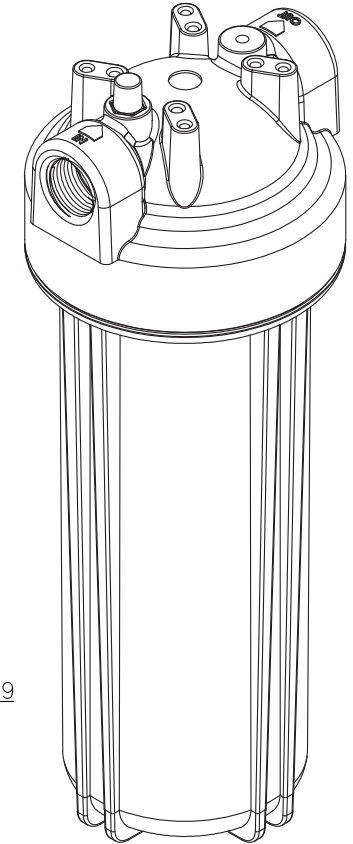
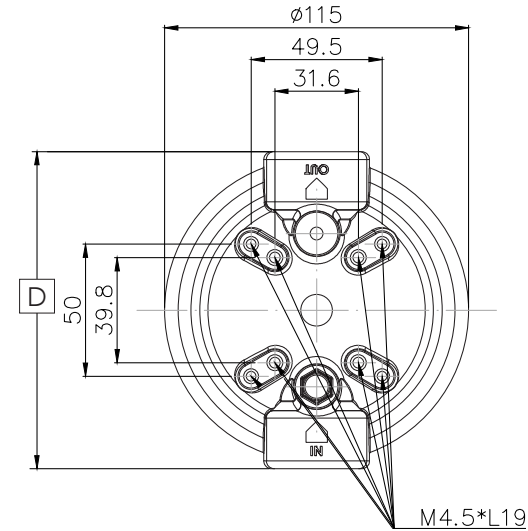
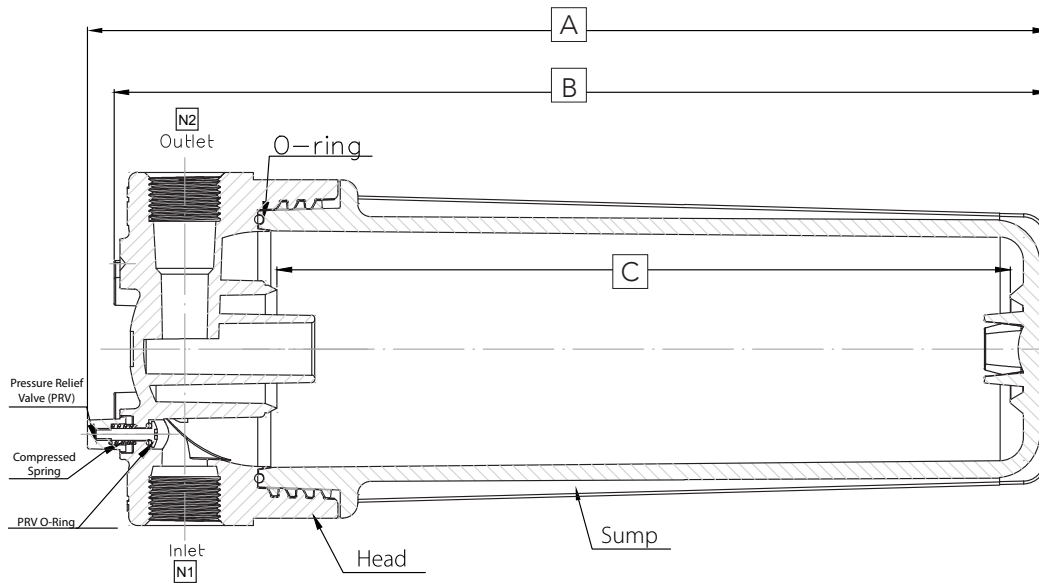


AQUALYZE ECONOMIC FILTER HOUSING

SINGLE ROUND 10" REGULAR - 1/2" & 3/4" PORTS



Part Number	Materials			Ports "		Dimensions mm			
	Head	Sump	O-Ring	N1	N2	A	B	C	D
EFH-PK-1-10-1/2	Polypropylene	Polypropylene	EPDM	1/2 BSPP	1/2 BSPP	326	317	248	120
EFH-PK-1-10-3/4	Polypropylene	Polypropylene	EPDM	3/4 BSPP	3/4 BSPP	326	317	248	120
EFH-SC-1-10-1/2	Polypropylene	Styrene Acrylonitrile	EPDM	1/2 BSPP	1/2 BSPP	326	317	248	120
EFH-SC-1-10-3/4	Polypropylene	Styrene Acrylonitrile	EPDM	3/4 BSPP	3/4 BSPP	326	317	248	120

Technical Information • PK = Black Head/ Black Sump SC= Black Head/ Clear Sump • All dimensions are approximate	Maximum Operating Temperature	40°C
	Design Pressure 10" Black Sump	8.6 bar
	Design Pressure 10" Clear Sump	6.9 bar